

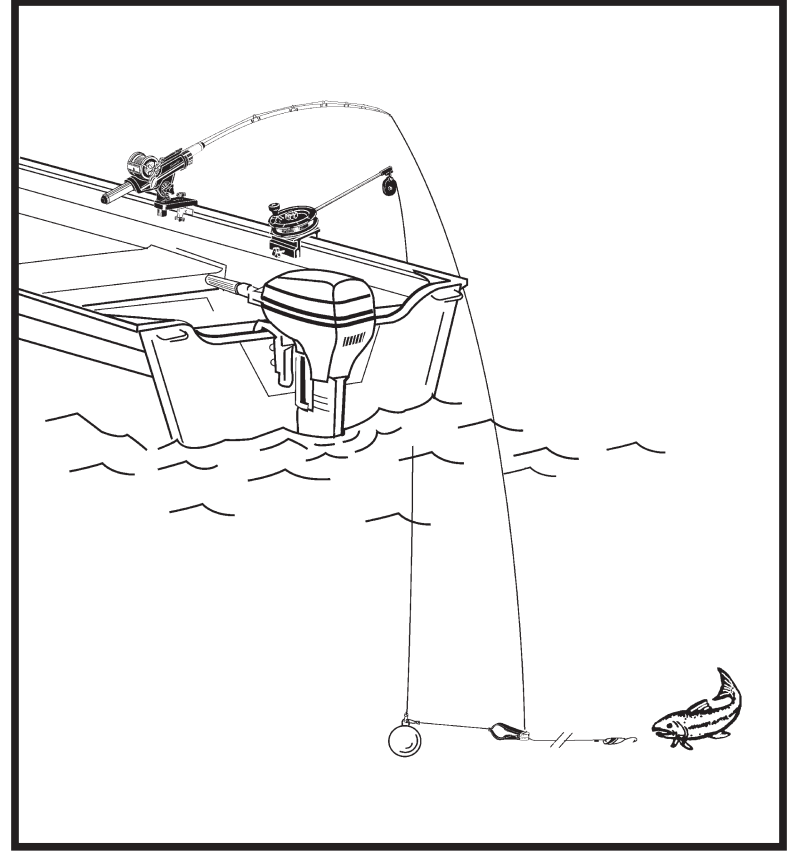
LAKETROLLER ACCESSORIES

- No. 241 Extra Mounting Bracket
- No. 242 Railmount Adapter
- No. 244 Flush Deck Mounting Bracket
- No. 248 Oar lock Mount
- No. 1004 CONNECTOR SLEEVES
10 brass sleeves for joining wireline or locating release clips
- No. 1007 RELEASE CLIP LOCATORS
10 split brass crimps for locating release clips
- No. 1008 STOPPERS
6 nylon release clip locators. Easily installed or removed for rod stacking
- No. 1017 3 LB. LAKETROLLER LEAD WEIGHT, WITH FIN
- No. 1020 "HAIRTRIGGER" DOWNRIGGER RELEASE CLIP
- No. 1022 HAIRTRIGGER RELEASE CLIP PINS
3 spare "hairtrigger" release clip pins
- No. 1180 MINI POWER GRIP
18' Leader with Cable Snap
- No. 1181 MINI POWER GRIP
18' Leader with Cannonball Snap
- No. 1182 MINI POWER GRIP
Planer Board - 4 Pk.

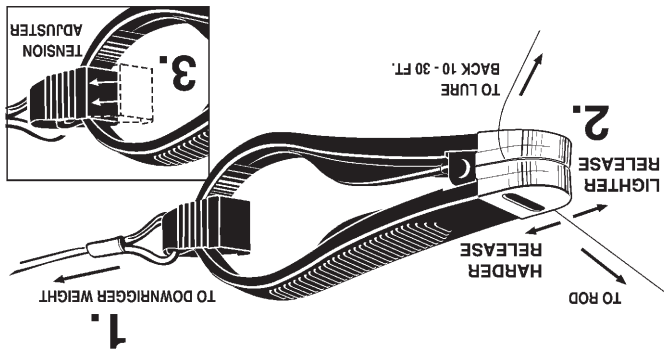


Laketroller

INSTRUCTIONS



SCOTTY
2065 Henry Ave W, Sidney, B.C.
Canada V8L 5Z6
1-800-214-0141
Fax: (250) 656-8102
E-mail: scotty@scotty.com
Website: www.scotty.com



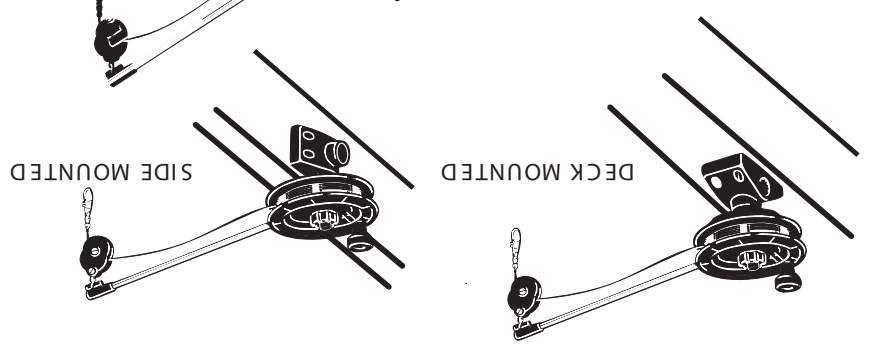
1. Attach the snap swivel of the Mini Power Grip release to the downrigger weight.
2. Attach your fishing line to the Mini Power Grip release by squeezing the jaws apart and placing your fishing line between the pads. The release tension is lighter at the outer tip, and is heavier the further into the jaws you place the line.
3. The Tension Adjuster can be moved forward or back to double the release

MINI POWER GRIP" RELEASE INSTRUCTIONS

CLAMP MOUNT LAKETROLLER

If necessary, use a small block of wood for spacing on the outside of the gunwale.

Make sure your Laketroller is securely clamped. A safety line tied from the Laketroller to the boat is a good idea.

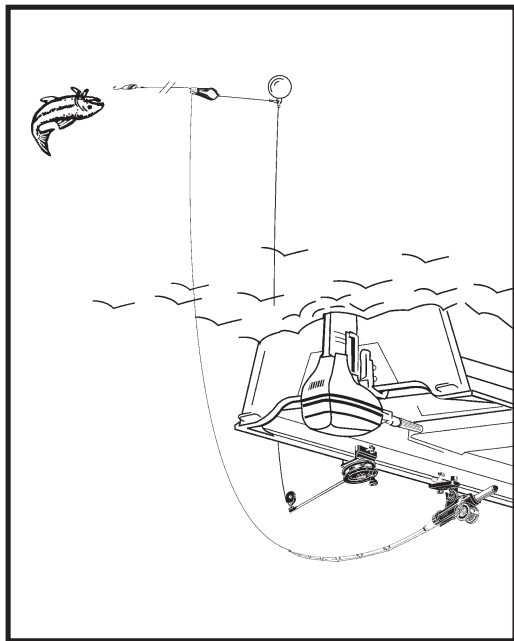


Mounting BRACKET MOUNT LAKETROLLER

The bracket mount Laketroller is designed to enter the Mounting Bracket only when pointing inboard, and is locked in every other direction. To ensure the Mounting Bracket is correctly positioned, the "Scotty" trademark on the bracket should be read right way up, when looking from inboard.

When mounting the bracket, a wood or metal backing plate on the underside of the gunnel should be used to distribute the load.

When side mounting, the bracket should be mounted as flush to the gunnel top as possible to allow full swivel rotation.



Note: Fishing Rod can be ahead or astern of Laketroller.

1. Fix Laketroller to boat and attach lead weight to metal swivel-hook (Maximum recommended weight is 2-3 lbs or .9kg - 1.35kg).
2. For release clip set-up, refer to diagram at bottom of page.
3. Ease off laketroller brake tension nut and crank down to desired depth, while letting fishing line unwind from fishing reel with light tension drag on reel. One complete revolution of the Laketroller's pool releases one foot of line. Count turns to troll at the depth you want and then set holding drag lightly, just enough to resist weight.

Operation